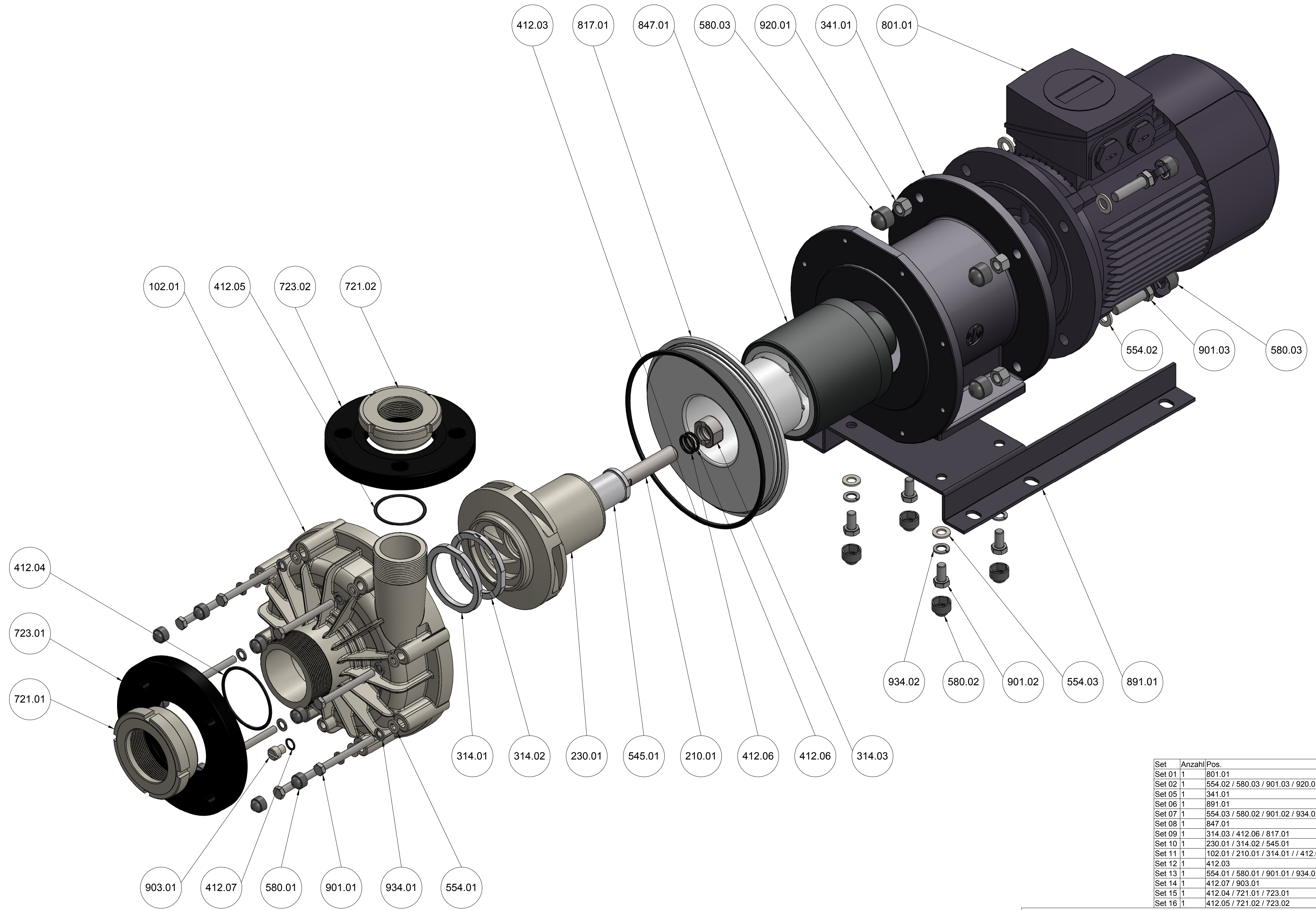



| | | | |
|--|--------------------|--|--|
| external drawing number: | | | |
| CAD drawing | Copyright reserved | | |
| designed: 03.01.18 | date: | name: | part name: SHM65-50 4kW DIN-Flansch |
| checked: | | | |
| Stübbe Partner for Solutions | | ASV Stübbe GmbH & Co.KG Postfach 1765 D-32291 Vlotho | ident no.: 180735 index: - format: A1 sheet: 1 of 2 sheets |
| This is a drawing derivation of a 3D model. Changes must be carried out in the 3D model. | | deduced from: | filename: 180735_SHM65-50 4kW DIN-Flansch |



| Set | Anzahl | Pos. |
|--------|--------|---|
| Set 01 | 1 | 801.01 |
| Set 02 | 1 | 554.02 / 580.03 / 901.03 / 920.01 |
| Set 05 | 1 | 341.01 |
| Set 06 | 1 | 891.01 |
| Set 07 | 1 | 554.03 / 580.02 / 901.02 / 934.02 |
| Set 08 | 1 | 847.01 |
| Set 09 | 1 | 314.03 / 412.06 / 817.01 |
| Set 10 | 1 | 230.01 / 314.02 / 545.01 |
| Set 11 | 1 | 102.01 / 210.01 / 314.01 // 412.07 / 903.01 |
| Set 12 | 1 | 412.03 |
| Set 13 | 1 | 554.01 / 580.01 / 901.01 / 934.01 |
| Set 14 | 1 | 412.07 / 903.01 |
| Set 15 | 1 | 412.04 / 721.01 / 723.01 |
| Set 16 | 1 | 412.05 / 721.02 / 723.02 |

external drawing number:

| | | | |
|--------------------|--------------------|-------|--------------------------|
| CAD drawing | Copyright reserved | date: | part name: |
| designed: 03.01.18 | checked: | | SHM65-50 4kW DIN-Flansch |


ASV Stübbe GmbH & Co. KG
 Postfach 1765
 D-32291 Vlotho

ident no.: **180735** index: - format: **A1** sheet: **2**
 deduced from: filename: 180735_SHM65-50 4kW DIN-Flansch