
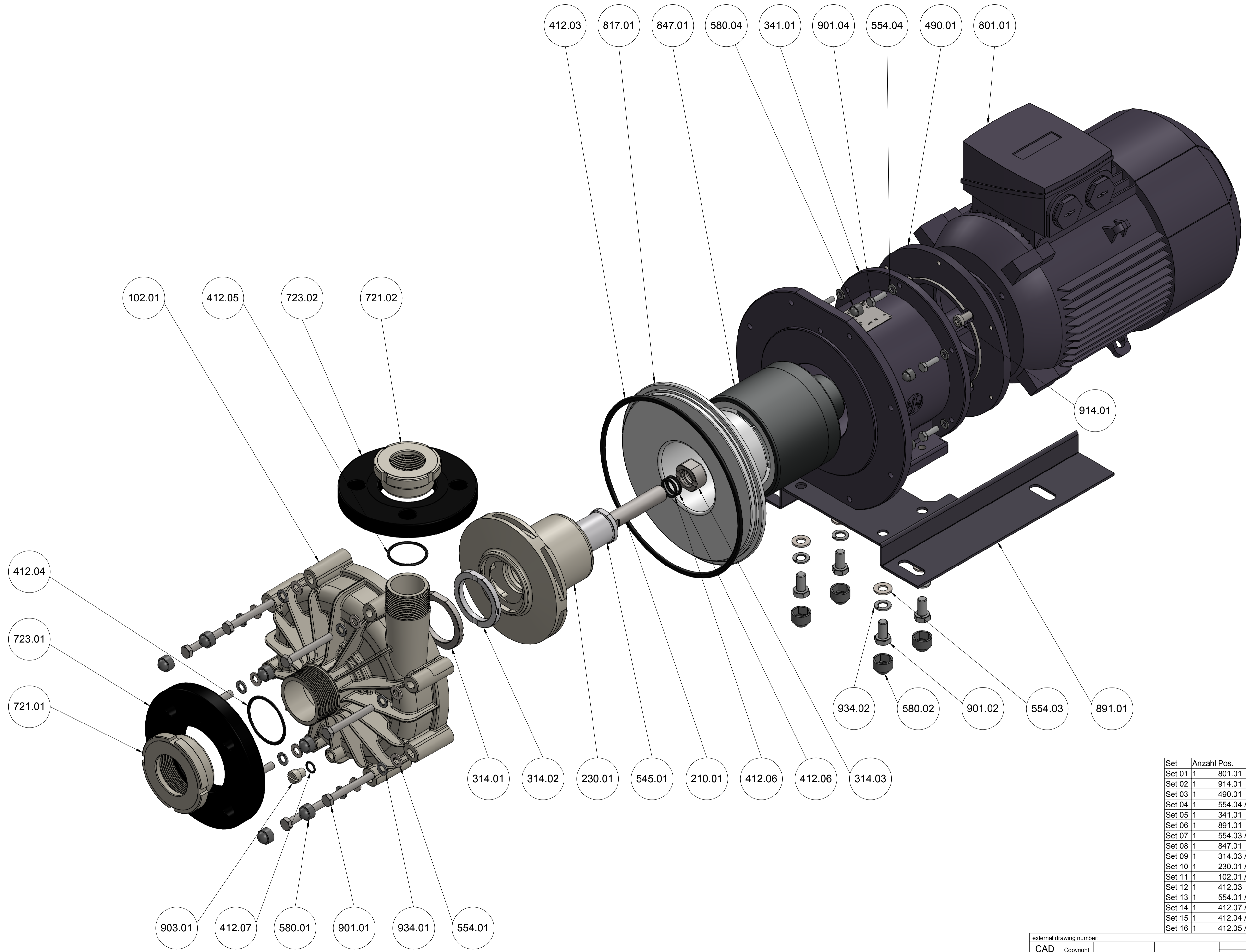


external drawing number:			
CAD drawing	Copyright reserved	part name:	
designed:	date: 20.12.17	SHM50-40L 3 / 4kW DIN-Flansch	
checked:		ident no.:	180730
 Stübbe Partner for Solutions		ASV Stübbe GmbH & Co.KG Postfach 1765 D-32291 Viethe	index: - format: A1 sheet: 1 2 sheets
deduced from:		filename: 180730_SHM50-40L 3-4kW DIN-Flansch	

This is a drawing derivation of a 3D model. Changes must be carried out in the 3D model.



Set	Anzahl	Pos.
Set 01	1	801.01
Set 02	1	914.01
Set 03	1	490.01
Set 04	1	554.04 / 580.04 / 901.04
Set 05	1	341.01
Set 06	1	891.01
Set 07	1	554.03 / 580.02 / 901.02 / 934.02
Set 08	1	847.01
Set 09	1	314.03 / 412.06 / 817.01
Set 10	1	230.01 / 314.02 / 545.01
Set 11	1	102.01 / 210.01 / 314.01 // 412.07 / 903.01
Set 12	1	412.03
Set 13	1	554.01 / 580.01 / 901.01 / 934.01
Set 14	1	412.07 / 903.01
Set 15	1	412.04 / 721.01 / 723.01
Set 16	1	412.05 / 721.02 / 723.02

external drawing number: _____

CAD drawing	Copyright reserved	part name:	SHM50-40L 3 / 4kW DIN-Flansch
designed:	date:	ident no.:	180730
checked:	20.12.17	index:	-
		format:	A1
		sheet:	2
		2 sheets	

ASV Stübbe GmbH & Co. KG
 Postfach 1765
 D-52591 Virehe
 Partner for Solutions

This is a drawing derivation of a 3D model. Changes must be carried out in the 3D model.
 deduced from: _____ filename: 180730_SHM50-40L 3-4kW DIN-Flansch

Respect protective note according to DIN ISO 15016