
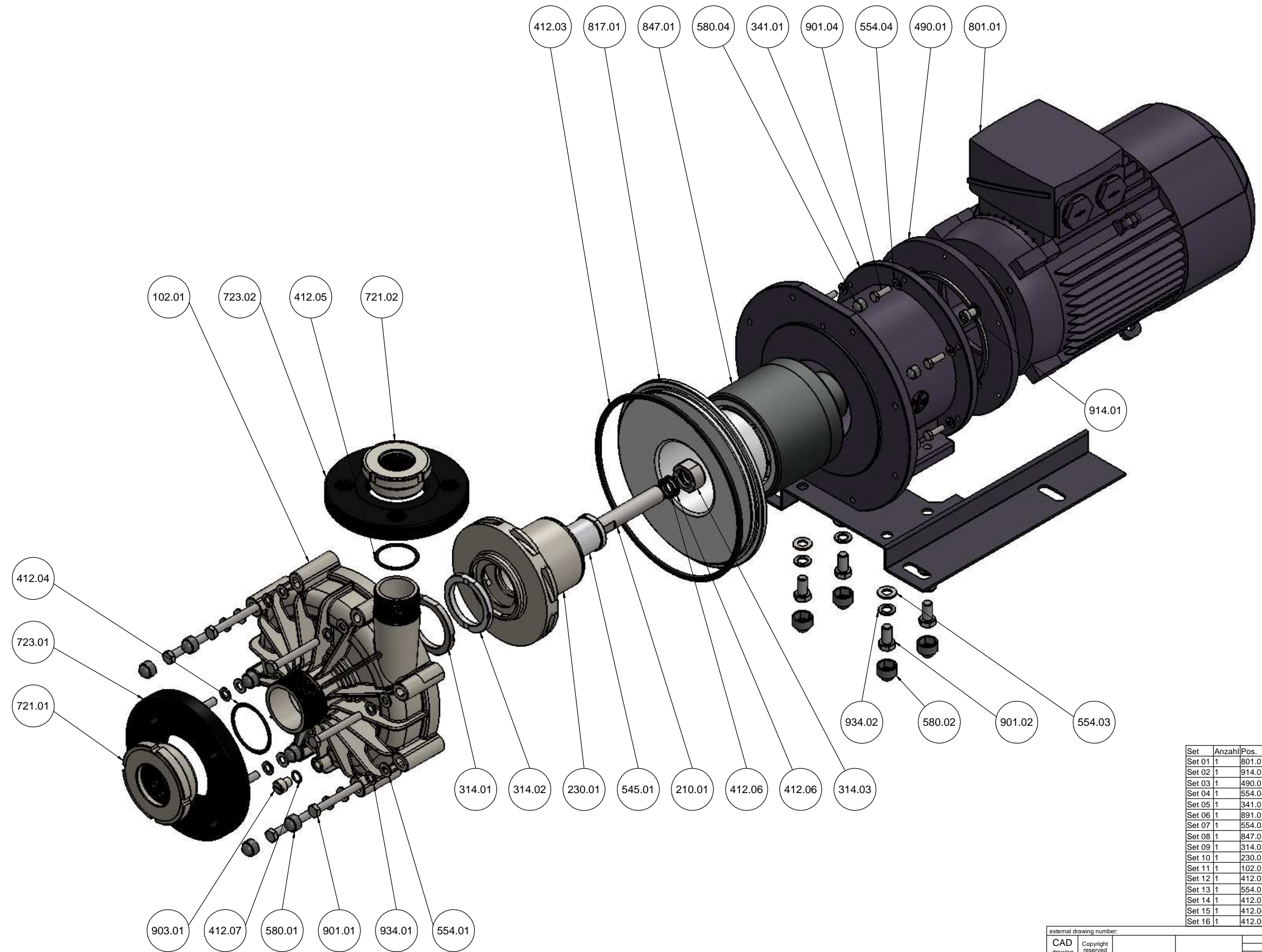


|  |                    |  |  |
|--|--------------------|--|--|
| external drawing number:   |                    |  |  |
| CAD drawing  | Copyright reserved |  |  |
| designed:  | date: 14.12.17     | name:  | part name: SHM50-40S 3kW DIN-Flansch                                   |
| checked:   |                    |  |  |
|  <b>Stübbe</b><br>Partner for Solutions |                    | ASV Stübbe<br>GmbH & Co. KG<br>Postfach 1765<br>D-32591 Vlotho | ident no.: 180724<br>index: -<br>format: A1<br>sheet: 1<br>of 2 sheets |
| deduced from:  |                    | filename: 180724_SHM50-40S 3kW DIN-Flansch                     |  |


This is a drawing derivation of a 3D model. Changes must be carried out in the 3D model.



| Set    | Anzahl | Pos.  |
|--------|--------|---|
| Set 01 | 1      | 801.01                                      |
| Set 02 | 1      | 914.01                                      |
| Set 03 | 1      | 490.01                                      |
| Set 04 | 1      | 554.04 / 580.04 / 901.04                    |
| Set 05 | 1      | 341.01                                      |
| Set 06 | 1      | 891.01                                      |
| Set 07 | 1      | 554.03 / 580.02 / 901.02 / 934.02           |
| Set 08 | 1      | 847.01                                      |
| Set 09 | 1      | 314.03 / 412.06 / 817.01                    |
| Set 10 | 1      | 230.01 / 314.02 / 545.01                    |
| Set 11 | 1      | 102.01 / 210.01 / 314.01 // 412.07 / 903.01 |
| Set 12 | 1      | 412.03                                      |
| Set 13 | 1      | 554.01 / 580.01 / 901.01 / 934.01           |
| Set 14 | 1      | 412.07 / 903.01                             |
| Set 15 | 1      | 412.04 / 721.01 / 723.01                    |
| Set 16 | 1      | 412.05 / 721.02 / 723.02                    |

external drawing number:

|             |                    |          |                           |
|-------------|--------------------|----------|---------------------------|
| CAD drawing | Copyright reserved | date:    | part name:                |
| designed:   | checked:           | 14.12.17 | SHM50-40S 3kW DIN-Flansch |


**ASV Stübbe**  
 GmbH & Co. KG  
 Postfach 1765  
 D-32591 Vlotho

This is a drawing derivation of a 3D model. Changes must be carried out in the 3D model.

deduced from: 180724
 index: -
 format: A1
 sheet: 2
 sheets: 2

filename: 180724\_SHM50-40S 3kW DIN-Flansch

Respect protective note according to DIN ISO 15016