
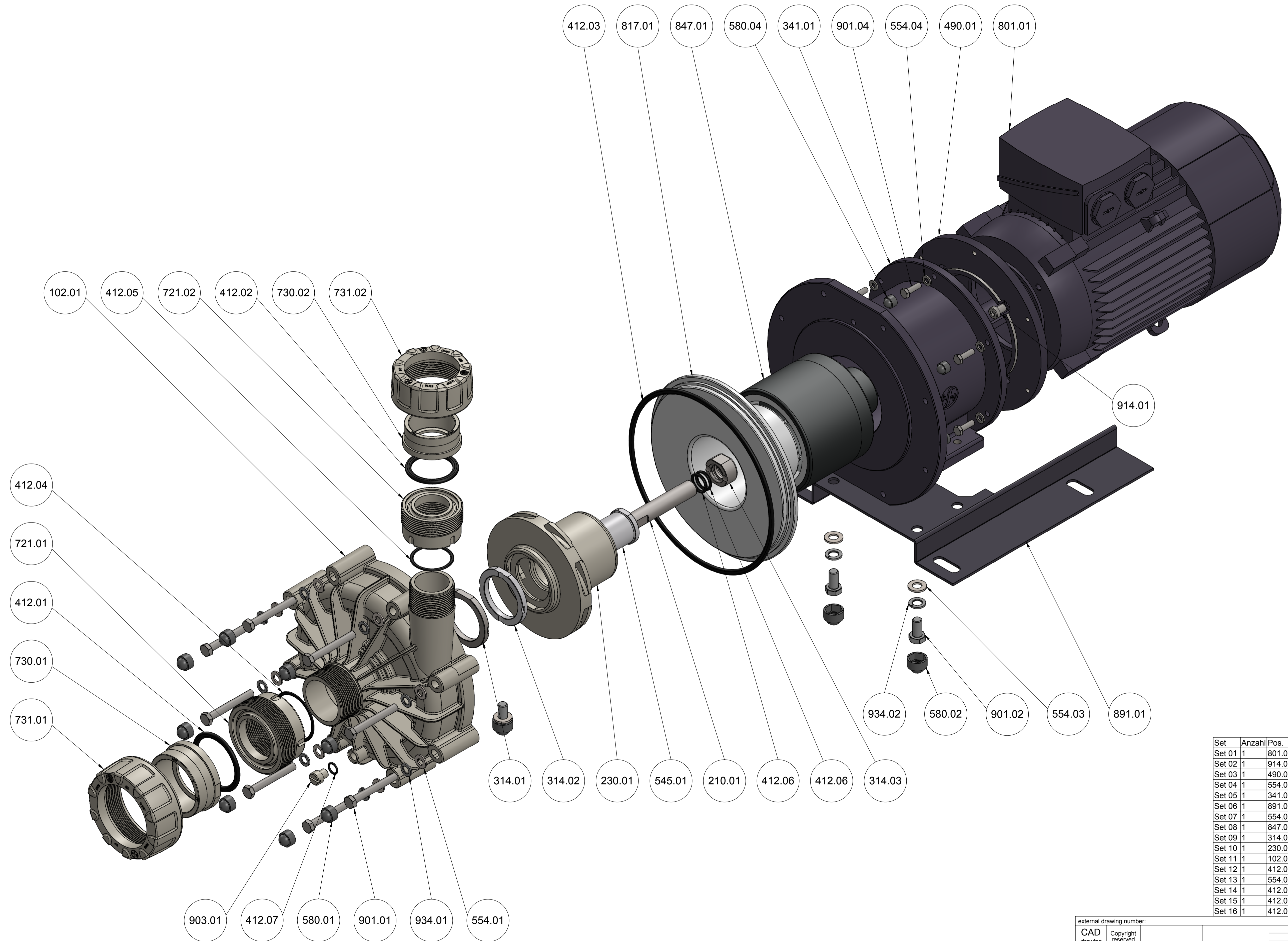


external drawing number:			
CAD drawing	Copyright reserved		
designed:	date: 13.12.17	name:	part name: SHM50-40S 3kW Verschraubung
checked:			
 Stübbe Partner for Solutions		ASV Stübbe GmbH & Co.KG Postfach 1765 D-32591 Vlotho	ident no.: 180722 index: - format: A1 sheet: 1 of 2 sheets
deduced from:		filename: 180722_SHM50-40S 3kW Verschraubung	


This is a drawing derivation of a 3D model. Changes must be carried out in the 3D model.



Set	Anzahl	Pos.
Set 01	1	801.01
Set 02	1	914.01
Set 03	1	490.01
Set 04	1	554.04 / 580.04 / 901.04
Set 05	1	341.01
Set 06	1	891.01
Set 07	1	554.03 / 580.02 / 901.02 / 934.02
Set 08	1	847.01
Set 09	1	314.03 / 412.06 / 817.01
Set 10	1	230.01 / 314.02 / 545.01
Set 11	1	102.01 / 210.01 / 314.01 // 412.07 / 903.01
Set 12	1	412.03
Set 13	1	554.01 / 580.01 / 901.01 / 934.01
Set 14	1	412.07 / 903.01
Set 15	1	412.01 / 412.04 / 721.01 / 730.01 / 731.01
Set 16	1	412.02 / 412.05 / 721.02 / 730.02 / 731.02

external drawing number: _____

CAD drawing	Copyright reserved	date:	part name:
designed: 13.12.17	checked:	13.12.17	SHM50-40S 3kW Verschraubung


Stübbe ASV Stübbe GmbH & Co.KG
 Partner for Solutions Postfach 1765 D-52591 Virehe

ident no.: **180722** index: - format: **A1** sheet: **2**
 deduced from: _____ filename: 180722_SHM50-40S 3KW Verschraubung

This is a drawing derivation of a 3D model. Changes must be carried out in the 3D model.