
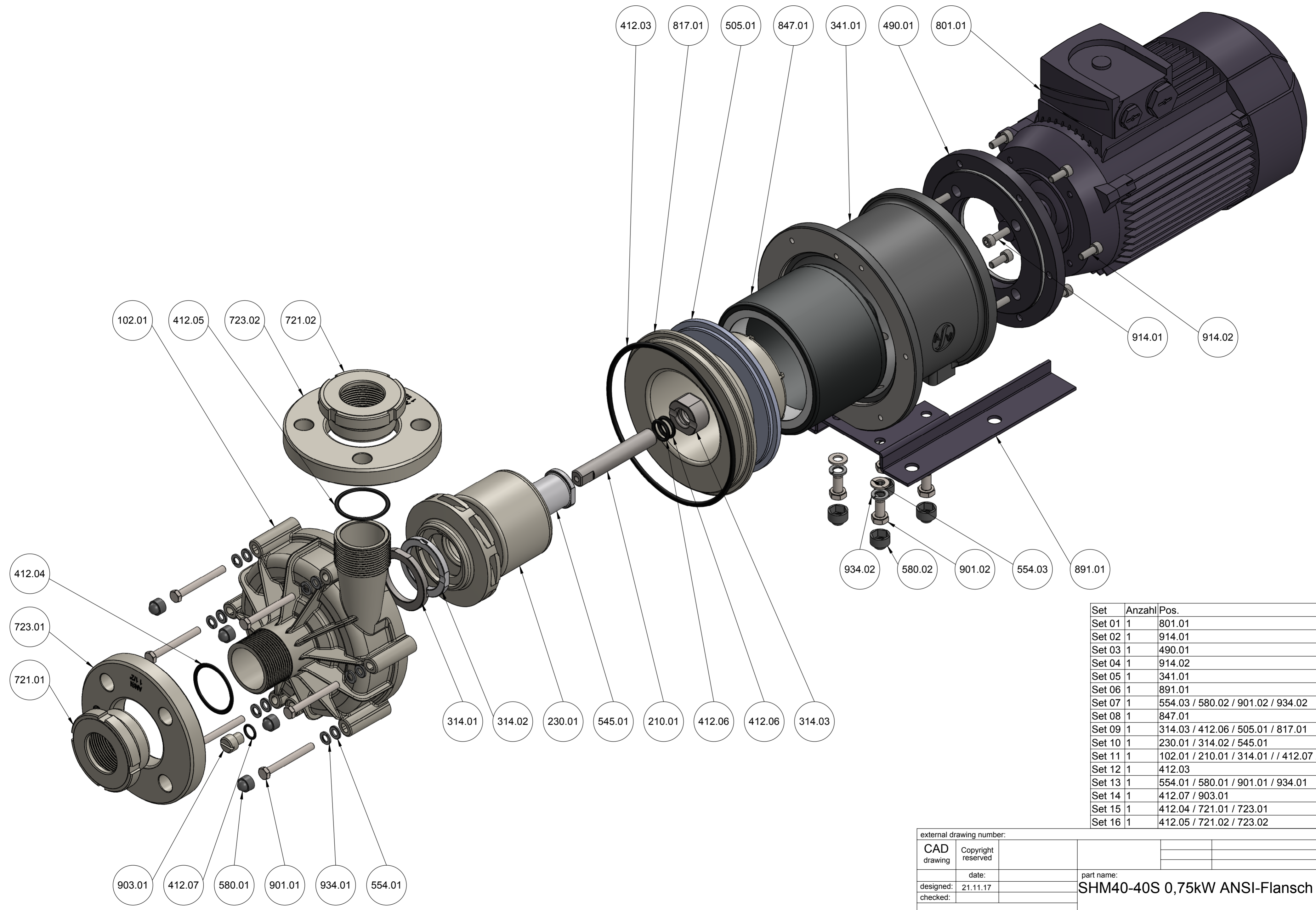


This is a drawing derivation of a 3D model. Changes must be carried out in the 3D model.

external drawing number:			
CAD drawing	Copyright reserved		
designed: 21.11.17	date:	part name: SHM40-40S 0,75kW ANSI-Flansch	
checked:			
 Stübbe Partner for Solutions		ASV Stübbe GmbH & Co.KG Postfach 1765 D-32591 Vlotho	ident no.: 165071 index: - format: A2 sheet: 1 2 sheets
deduced from:		filename: 165071_SHM40-40S 0,75kW ANSI-Flansch	


Respect protective note according to DIN ISO 16016



Set	Anzahl	Pos.
Set 01	1	801.01
Set 02	1	914.01
Set 03	1	490.01
Set 04	1	914.02
Set 05	1	341.01
Set 06	1	891.01
Set 07	1	554.03 / 580.02 / 901.02 / 934.02
Set 08	1	847.01
Set 09	1	314.03 / 412.06 / 505.01 / 817.01
Set 10	1	230.01 / 314.02 / 545.01
Set 11	1	102.01 / 210.01 / 314.01 // 412.07 / 903.01
Set 12	1	412.03
Set 13	1	554.01 / 580.01 / 901.01 / 934.01
Set 14	1	412.07 / 903.01
Set 15	1	412.04 / 721.01 / 723.01
Set 16	1	412.05 / 721.02 / 723.02

external drawing number:

CAD drawing	Copyright reserved			
designed:	date:	part name:		
checked:	21.11.17	SHM40-40S 0,75kW ANSI-Flansch		


Stübbe
 GmbH & Co.KG
 Postfach 1765
 D-32591 Vlotho

ident no.: **165071** index: **-** format: **A2** sheet: **2**
 deduced from: filename: 165071_SHM40-40S 0,75kW ANSI-Flansch

This is a drawing derivation of a 3D model. Changes must be carried out in the 3D model.